

# Life Preserver Unit (LPU)

## PRU-75/P Life Preserver, Vest

The PRU-75/P Life Preserver Unit (LPU) provides flotation support to aircrew in the event of water entry. The LPU contains **two bladders** providing **full redundancy** for head out-of-water flotation attitude. The bladders are designed for **automatic** and **manual** inflation.

This novel design contains an **enhanced inflation system** composed of two Automatic Life Preserver Inflation Units (ALPIUs), one for each bladder. The ALPIUs operate **hydrostatically** and do not require batteries, explosives, or munitions for inflation, simplifying handling and transportation.

The LPU is constructed of **soft, breathable**, and **flame-retardant** materials.

The LPU is designed as a **constant-wear** item and is for ejection seat airframes only. It attaches in the same manner as legacy systems to the ejection seat torso harnesses.

The PRU-75/P LPU is **currently fielded** to United States Air Force F-22 pilots.

The PRU 75/P **integrates with** the CWU-111/P Undergarment Outfit, Extreme Cold Weather (Environmental Protection Layer); CWU-112/P Undergarment Outfit, Extreme Cold Weather (Thermal Undergarment); PRU-74/P Flight Suit (Coverall); PRU-76/P Undergarment, Chemical, Biological, Radiological Layer (CBRL); PRU-72/P Survival Vest; and the PRU-73/P Pressure Vest.

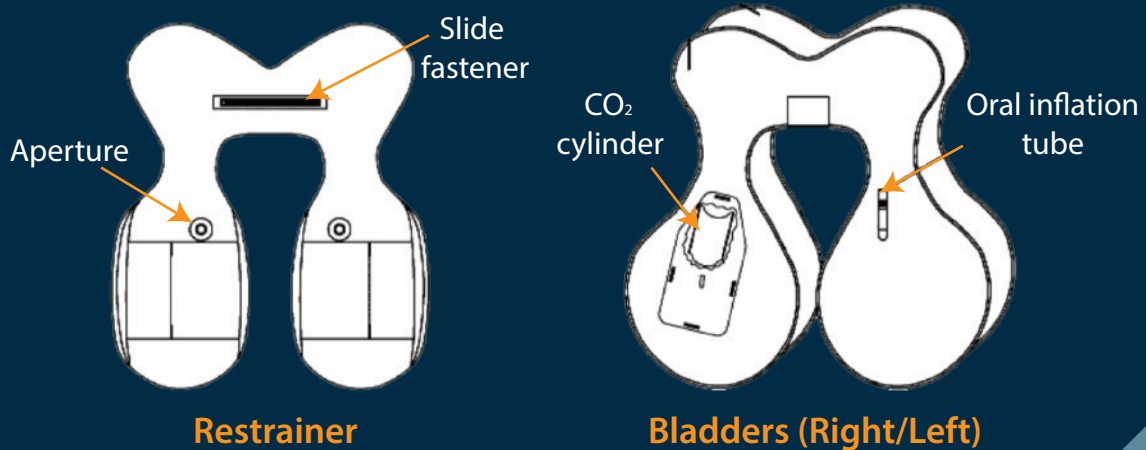
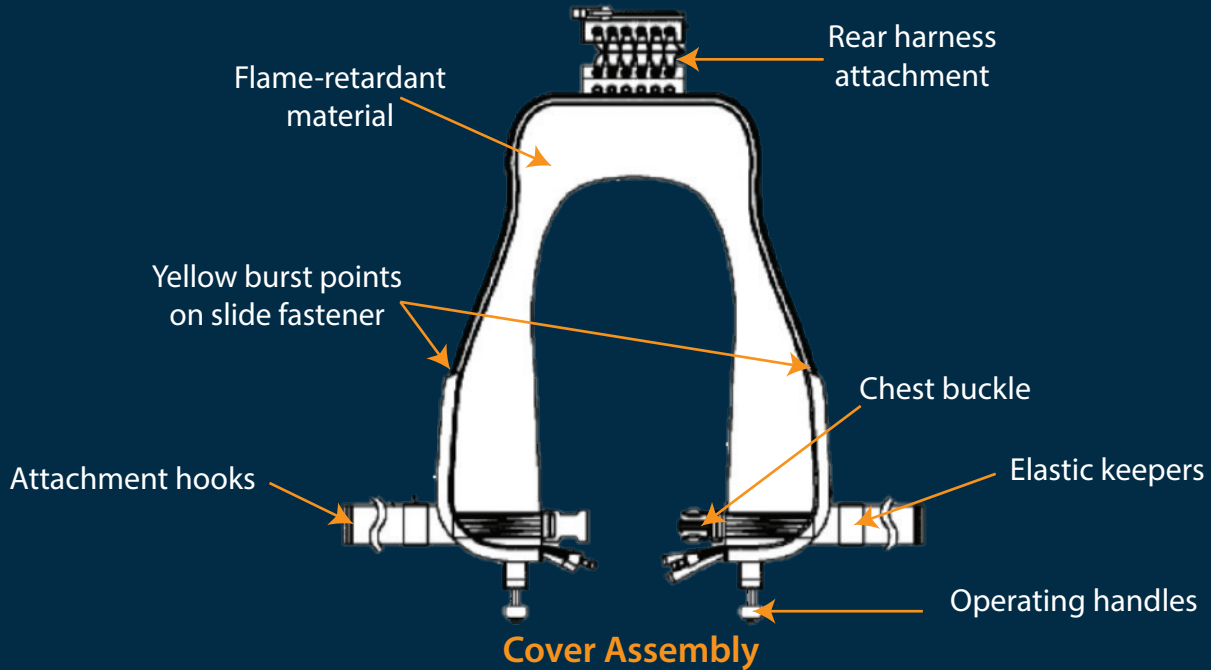
For more information or questions regarding procurement, please contact: [Info@tiax-llc.com](mailto:Info@tiax-llc.com).



LEADING EDGE PROTECTION  
FOR THE 21st-CENTURY WARFIGHTER



## PRU-75/P Life Preserver, Vest (LPU) Features



PRU-75/P Life Preserver, Vest (LPU)		
Description	Part Number	NSN
Life Preserver Unit Assembly	TXF100300-A	Pending
Cover Assembly	TXF100301-A	4220-01-682-2552
Restrainer Assembly	TXF100302-A	4220-01-682-2472
Right Bladder Assembly	TXF100303-A-R	4220-01-682-2475
Left Bladder Assembly	TXF100303-A-L	4220-01-681-8724
Rear Harness Attm. Assembly	TXF210301-A	5325-01-682-1117
Operating Handle Assembly	TXF210302-A	5340-01-682-1220
Chest Adjustment Assembly	TXF210303-A	5340-01-682-2547
Automatic Life Preserver Inflation Unit (ALPIU) Assembly	TXF210305-A	Pending